

ZOOMLION TELESCOPIC BOOM LIFTS ZT112J/ZT125J



HIGHLIGHTS

- ▶ Platform dual capacity design, up to 660/1000lb(300/454kg)
- ▶ Smart telematic control interface with self-diagnostic monitoring capability
- ▶ Better work envelop performance, 10% larger than competitor
- ▶ 118ft 1in working heights
- ▶ Smooth & stable boom extension technique controls the minimum stable extending speed at 0.015mph (0.034m/s)

FEATURES

Standard Features

Horn
All motion alarm
Proportional control
Self-closing entry gate
Flashing beacon
Auto-leveling system
Emergency stop button
Over tilt protection system
Emergency descent system
On-board diagnostic system
Oscillating axle
4.3' LED display
Load sensing system
Swing-out engine tray

Accessories & Options

- ▶ Platform work lights
- ▶ Anti-collision device
- ▶ AC power to platform
- ▶ Axle extending function

ACCESS WITH ZOOMLION GREEN

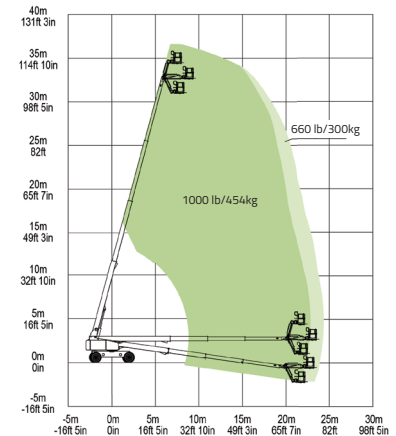
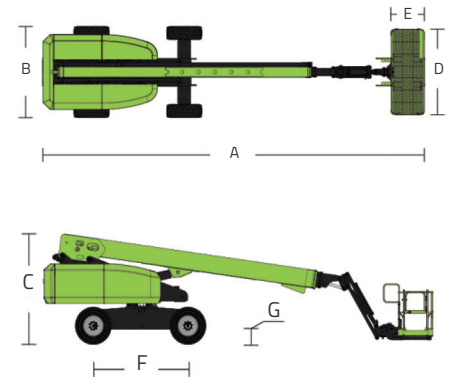
Phone: 1 (833) USA-ZOOM
E-mail: sales@zoomlion-na.com

Add: Zoomlion Heavy Industry NA, Inc. 14215 Two Mile Road, Yorkville, WI 53126
Web: www.zoomlion-na.com

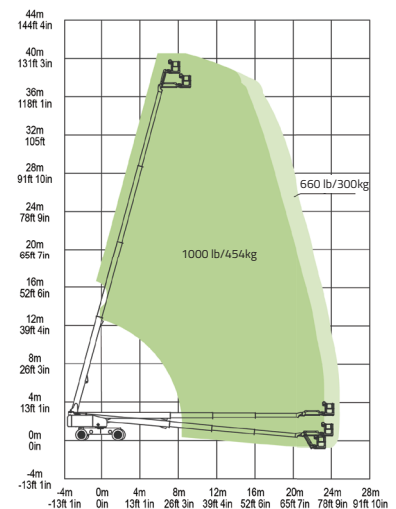
MAIN SPECS OF TELESCOPIC BOOM LIFTS

ZT112J/ZT125J

Model	ZT112J (ANSI/CSA)		ZT125J	
	Imperial	Metric	Imperial	Metric
Size				
Work Height	118ft 1in	36m	131ft 11in	40.2m
Platform Height	111ft 7in	34m	125ft 4in	38.2m
Horizontal Outreach	79ft 5in	24.2m	82ft	25m
A - Stowed Length	44ft 3in	13.50m	40ft 4in	12.3m
B - Stowed Width	8ft 2in	2.49m	8ft 2in	2.49m
C - Stowed Height	9ft 10in	3m	9ft 10in	3m
D - Platform Length	8ft	2.44m	8ft	2.44m
E - Platform Width	3ft	0.91m	3ft	0.91m
F - Wheelbase	12ft 6in	3.81m	12ft 6in	3.81m
G - Ground Clearance	1ft 4in	0.41m	1ft 4in	0.41m
Performance				
Platform Capacity (Unrestricted/Restricted)	660/1000lb	300/454kg	660/1000lb	300/454kg
Drive Speed (Stowed)	3.42mph	5.5km/h	3.42mph	5.5km/h
Gradeability	45%(24°)		45%(24°)	
Turning Radius (Inside)	9ft 2in/14ft 5in	2.8/4.4m	9ft 2in/14ft 5in	2.8/4.4m
Turning Radius (Outside)	20ft 4in/21ft 8in	6.2/6.6m	20ft 4in/21ft 8in	6.2/6.6m
Turntable Swing	360° continuous		360° continuous	
Platform Rotation	±90°		±90°	
Tail Swing	6ft 2in	1.88m	7ft 1in	2.16m
Jib (Range of Articulation)	130° (-55° ~ 75°)		135° (-60° ~ 75°)	
Max. Working Slope	3°		3°	
Max. Wind Speed	28mph	12.5m/s	28mph	12.5m/s
Power				
Engine	Kubota V2607		Kubota V2607	
Fuel Tank Capacity	52.8 (us gal)	200L	52.8 (us gal)	200L
Control Voltage	12V DC		12V DC	
Hydraulic Tank Capacity	66 (us gal)	250L	66 (us gal)	250L
Drive Mode	4WD		4WD	
Steering Mode	Four wheels/Front wheel/Crab		Four wheels/Front wheel/Crab	
Tire				
Type	IN445/50D710 Foam-filled Tires		IN445/50D710 Foam-filled Tires	
Weight				
Gross	42328lb	19200kg	45591lb	20680kg



Range of Motion ZT112J



Range of Motion ZT125J